

BALLOSTAR KHA-G

Threaded connection

GENERAL FEATURES

- » 3-piece ball valve with full bore
- » Floating ball, antistatic, lockable
- » Double tightness in both directions
- » Modular system components

CONNECTIONS

- » Internal thread Rp in accordance with EN 10226-1
- » Internal thread in accordance with NPT ANSI B 1.20.1

DIMENSIONS

Face-to-face dimensions in accordance with EN 16722-114

ACCEPTANCE TESTING

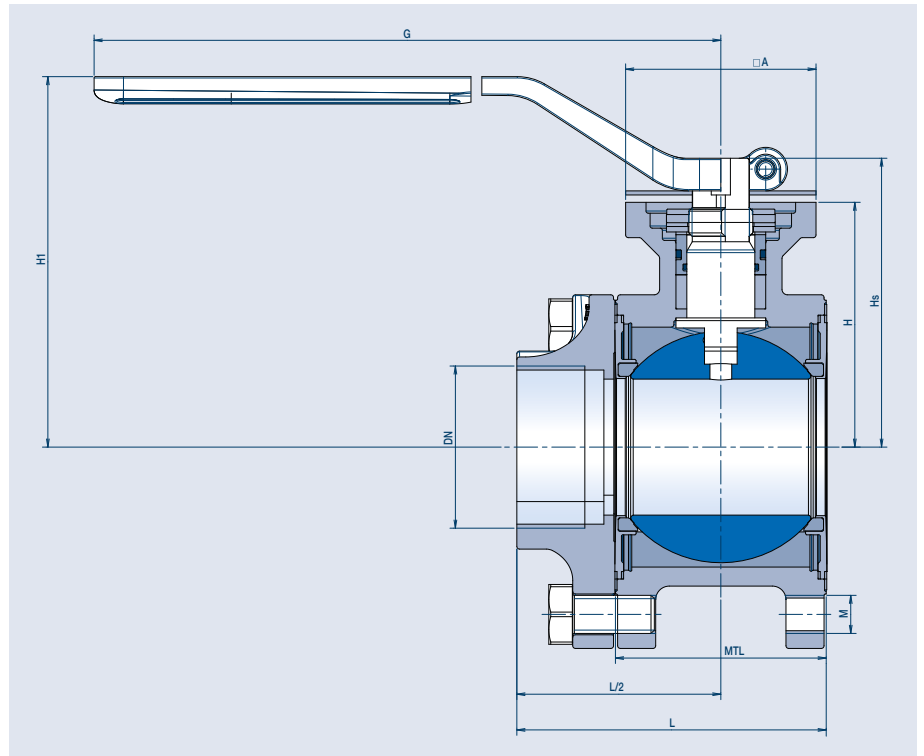
- » Seat leak tightness: EN 12266-1 P12, leakage rate A
- » Tightness to atmosphere: EN 12266-1 P11
- » Strength: DIN EN 12266-1 P10

AUTOMATION

- » Flange connection in accordance with ISO 5211, allows for direct mounting of an actuator or by means of brackets.
- » Pneumatic and electrical actuators utilizable.

TEMPERATURE

-196 °C to +400 °C (see pT diagram)



DN	Dimensions										Pressure level		Head flange size acc. to ISO 5211	Weight [kg]
	MTL	ØA	H	Hs	H1	G	SW	M	L	Xc	VIII	Xc		
1/2"	26.4	42	35.0	43.5	83.0	130	8	M6	85	63	100	63	F04	0.90
3/4"	35.2	42	46.5	57.0	96.0	160	11	M8	95	63	100	63	F04	1.45
1"	41.5	42	50.0	60.5	100.0	160	11	M8	105	63	100	63	F04	1.80
1-1/4"	49.5	50	65.0	77.7	107.5	252	14	M10	120	40	63	40	F05	3.15
1-1/2"	63.0	50	72.5	85.2	114.7	252	14	M12	130	40	63	40	F05	4.75
2"	77.5	70	90.0	106.2	136.2	310	17	M14	150	40	40	40	F07	7.55